

# AF100 Universal Active Filter

## General Description

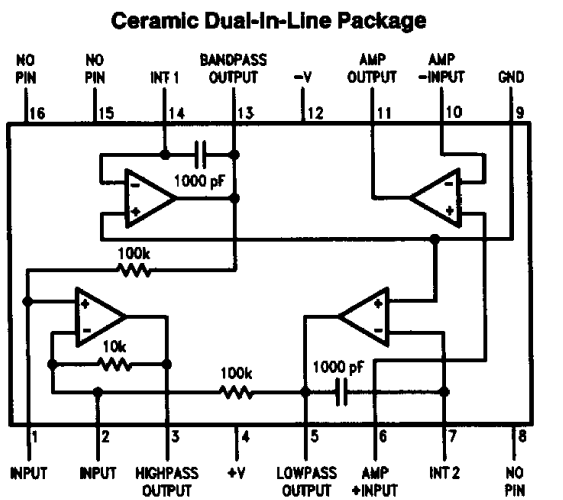
The AF100 state variable active filter is a general second order lumped RC network. Only four external resistors program the AF100 for specific second order functions. Lowpass, highpass, and bandpass functions are available simultaneously at separate outputs. Notch and allpass functions are available by summing the outputs in the uncommitted output summing amplifier. Higher order systems are realized by cascading AF100 active filters with appropriate programming resistors.

Any of the classical filter configurations, such as Butterworth, Bessel, Cauer, and Chebyshev can be formed.

## Features

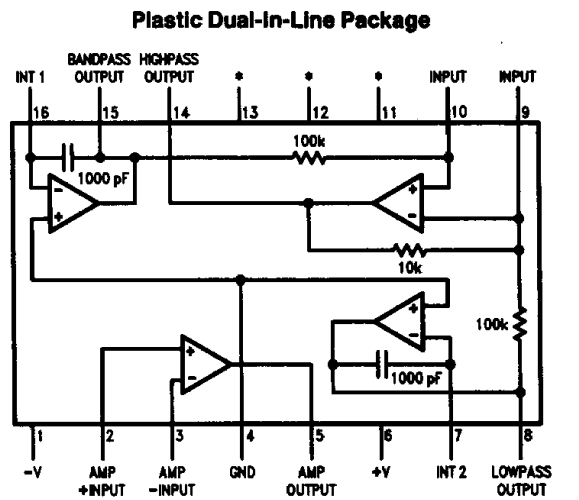
- Military or commercial specifications
- Independent Q, frequency, gain adjustments
- Low sensitivity to external component variation
- Separate lowpass, highpass, bandpass outputs
- Inputs may be differential, inverting, or non-inverting
- Allpass and notch outputs may be formed using uncommitted amplifier
- Operates to 10 kHz
- Q range to 500
- Power supply range ±5V to ±18V
- Frequency accuracy ±1% unadjusted
- Q frequency product ≤ 50,000

## Connection Diagrams



**Top View**

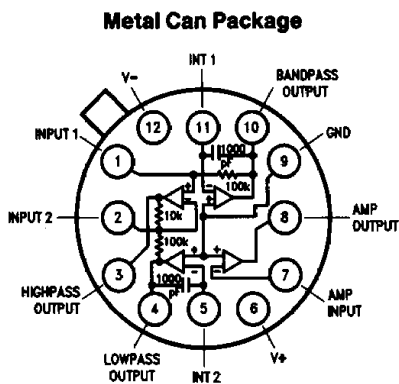
**Order Number AF100-1CJ or AF100-2CJ**  
See NS Package Number HY13A



\*Note: Internally connected. Do not use.

**Top View**

**Order Number AF100-1CN or AF100-2CN**  
See NS Package Number N16A



**Top View**

**Order Number AF100-1CJ, AF100-1G, AF100-2CG or AF100-2G**  
See NS Package Number H12B

## Absolute Maximum Ratings

If Military/Aerospace specified devices are required, please contact the National Semiconductor Sales Office/Distributors for availability and specifications.

Supply Voltage	± 18V
Power Dissipation	900 mW/Package (500 mW/Amp)
Differential Input Voltage	± 36V
Output Short Circuit Duration (Note 1)	Infinite
Lead Temperature (Soldering, 10 sec.)	300°C

Operating Temperature	AF100-1CJ, AF100-2CJ, AF100-1CG, AF100-2CG, AF100-1CN, AF100-2CN AF100-1G, AF100-2G	-25°C to +85°C -55°C to +125°C
Storage Temperature	AF100-1G, AF100-2G AF100-1CG, AF100-2CG, AF100-1CJ, AF100-2CJ, AF100-1CN, AF100-2CN	-65°C to +125°C -25°C to +100°C

## Electrical Characteristics (Complete Active Filter) (Note 2)

Parameter	Conditions	Min	Typ	Max	Units
Frequency Range	$f_C \times Q \leq 50,000$			10k	Hz
Q Range	$f_C \times Q \leq 50,000$			500	Hz/Hz
$f_0$ Accuracy AF100-1, AF100-1C AF100-2, AF100-2C	$f_C \times Q \leq 10,000, T_A = 25^\circ\text{C}$ $f_C \times Q \leq 10,000, T_A = 25^\circ\text{C}$			± 2.5 ± 1.0	%
$f_0$ Temperature Coefficient			± 50	± 150	ppm/°C
Q Accuracy	$f_C \times Q \leq 10,000, T_A = 25^\circ\text{C}$			± 7.5	%
Q Temperature Coefficient			± 300	± 750	ppm/°C
Power Supply Current	$V_S = \pm 15\text{V}$		2.5	4.5	mA

## Electrical Characteristics (Internal Op Amp) (Note 3)

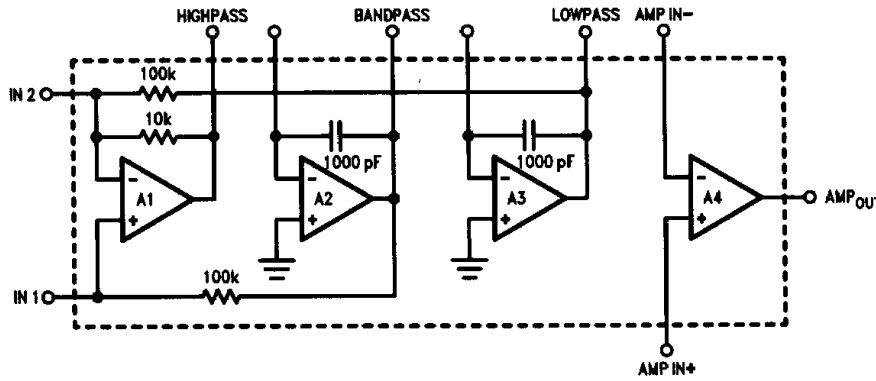
Parameter	Conditions	Min	Typ	Max	Units
Input Offset Voltage	$R_S \leq 10\text{ k}\Omega$		1.0	6.0	mV
Input Offset Current			4	50	nA
Input Bias Current			30	200	nA
Input Resistance			2.5		M $\Omega$
Large Signal Voltage Gain	$R_L \geq 2\text{ k}$ $V_{OUT} = \pm 10\text{V}$	25	160		V/mV
Output Voltage Swing	$R_L = 10\text{ k}\Omega$ $R_L = 2\text{ k}\Omega$	± 12 ± 10	± 14 ± 13		V
Input Voltage Range		± 12			V
Common Mode Rejection Ratio	$R_S \leq 10\text{ k}\Omega$	70	90		dB
Supply Voltage Rejection Ratio	$R_S \leq 10\text{ k}\Omega$	77	96		dB
Output Short Circuit Current			25		mA
Slew Rate (Unity Gain)			0.6		V/ $\mu\text{s}$
Small Signal Bandwidth			1		MHz
Phase Margin			60		Degrees

**Note 1:** Any of the amplifiers can be shorted to ground indefinitely, however more than one should not be simultaneously shorted as the maximum junction temperature will be exceeded.

**Note 2:** Specifications apply for  $V_S = \pm 15\text{V}$ , over  $-25^\circ\text{C}$  to  $+85^\circ\text{C}$  for the AF100-1C and AF100-2C and over  $-55^\circ\text{C}$  to  $+125^\circ\text{C}$  for the AF100-1 and AF100-2, unless otherwise specified.

**Note 3:** Specifications apply for  $V_S = \pm 15\text{V}$ ,  $T_A = 25^\circ\text{C}$ .

# Application Information



TL/K/10111-4

FIGURE 1. AF100 Schematic

## CIRCUIT DESCRIPTION AND OPERATION

A schematic of the AF100 is shown in Figure 1. Amplifier A1 is a summing amplifier with inputs from integrator A2 to the non-inverting input and integrator A3 to the inverting input. Amplifier A4 is an uncommitted amplifier.

By adding external resistors the circuit can be used to generate the second order system

$$T(s) = \frac{a_3s^2 + a_2s + a_1}{s^2 + b_2s + b_1}$$

The denominator coefficients determine the complex pole pair location and the quality of the poles where

$$\omega_0 = \sqrt{b_1} = \text{the radian center frequency}$$

$$Q = \frac{\omega_0}{b_2} = \text{the quality of the complex pole pair}$$

If the output is taken from the output of A1, numerator coefficients  $a_1$  and  $a_2$  equal zero, and the transfer function becomes:

$$T(s) = \frac{a_3s^2}{s^2 + \frac{\omega_0}{Q}s + \omega_0^2} \quad (\text{highpass})$$

If the output is taken from the output of A2, numerator coefficients  $a_1$  and  $a_3$  equal zero and the transfer function becomes:

$$T(s) = \frac{a_2s}{s^2 + \frac{\omega_0}{Q}s + \omega_0^2} \quad (\text{bandpass})$$

If the output is taken from the output of A3, numerator coefficients  $a_3$  and  $a_2$  equal zero and the transfer function becomes:

$$T(s) = \frac{a_1}{s^2 + \frac{\omega_0}{Q}s + \omega_0^2} \quad (\text{lowpass})$$

Using proper input and output connections the circuit can also be used to generate the transfer functions for a notch and allpass filter.

In the transfer function for a notch function  $a_2$  becomes zero,  $a_1$  equals 1, and  $a_3$  equals  $\omega_0^2$ . The transfer function becomes:

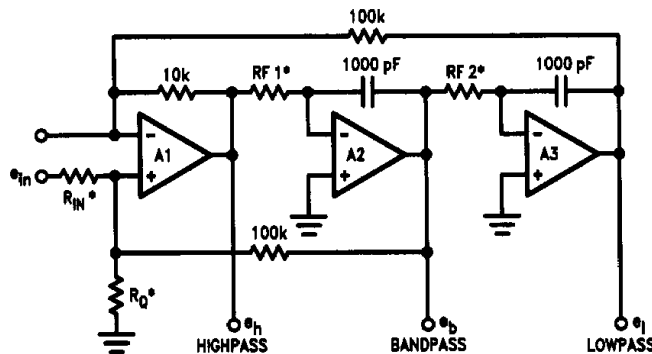
$$T(s) = \frac{s^2 + \omega_0^2}{s^2 + \frac{\omega_0}{Q}s + \omega_0^2} \quad (\text{notch})$$

In the allpass transfer function  $a_1 = 1$ ,  $a_2 = -\omega_0/Q$  and  $a_3 = \omega_0^2$ . The transfer function becomes:

$$T(s) = \frac{s^2 - \frac{\omega_0}{Q}s + \omega_0^2}{s^2 + \frac{\omega_0}{Q}s + \omega_0^2} \quad (\text{allpass})$$

## COMMON CONFIGURATIONS

The specific transfer functions for some of the most useful circuit configurations using the AF100 are illustrated in Figures 2 through 8. Also included are the gain equations for each transfer function in the frequency band of interest, the Q equation, center frequency equation and the Q determining resistor equation.



TL/K/10111-5

\*External components

FIGURE 2. Non-Inverting Input ( $Q > Q_{MIN}$ , see Q Tuning Section)

**Applications Information** (Continued)

a) Non-inverting input (Figure 2) transfer equations are:

$$\frac{e_h}{e_{IN}} = \frac{s^2 \left[ \frac{1.1}{1 + \frac{R_{IN}}{10^5} + \frac{R_{IN}}{RQ}} \right]}{\Delta} \quad (\text{highpass})$$

$$\frac{e_b}{e_{IN}} = \frac{-s \omega_1 \left[ \frac{1.1}{1 + \frac{R_{IN}}{10^5} + \frac{R_{IN}}{RQ}} \right]}{\Delta} \quad (\text{bandpass})$$

$$\frac{e_l}{e_{IN}} = \frac{\omega_1 \omega_2 \left[ \frac{1.1}{1 + \frac{R_{IN}}{10^5} + \frac{R_{IN}}{RQ}} \right]}{\Delta} \quad (\text{lowpass})$$

$$\omega_1 = \frac{10^9}{R_{F1}} \quad \omega_2 = \frac{10^9}{R_{F2}}$$

where

$$\Delta = s^2 + s \left[ \frac{1.1}{1 + \frac{10^5}{RQ} + \frac{10^5}{R_{IN}}} \right] \omega_1 + 0.1 \omega_1 \omega_2$$

$$\left. \frac{e_l}{e_{IN}} \right|_{s \rightarrow 0} = \frac{1.1}{\left( 1 + \frac{R_{IN}}{10^5} + \frac{R_{IN}}{RQ} \right)}$$

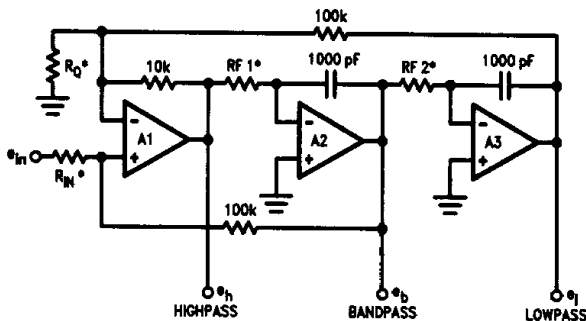
$$\left. \frac{e_h}{e_{IN}} \right|_{s \rightarrow \infty} = \frac{1.1}{\left( 1 + \frac{R_{IN}}{10^5} + \frac{R_{IN}}{RQ} \right)}$$

$$\left. \frac{e_b}{e_{IN}} \right|_{\omega = \omega_0} = - \frac{\left( 1 + \frac{10^5}{RQ} + \frac{10^5}{R_{IN}} \right)}{\left( 1 + \frac{R_{IN}}{10^5} + \frac{R_{IN}}{RQ} \right)}$$

$$\omega_0 = \sqrt{0.1 \omega_1 \omega_2}$$

$$Q = \left( \frac{1 + \frac{10^5}{R_{IN}} + \frac{10^5}{RQ}}{1.1} \right) \sqrt{0.1 \left( \frac{\omega_2}{\omega_1} \right)}$$

$$RQ = \frac{10^5}{\left( \frac{1.1Q}{\sqrt{0.1 \frac{\omega_2}{\omega_1}}} \right) - 1 - \frac{10^5}{R_{IN}}}$$



\*External components

**FIGURE 3. Non-Inverting Input**  
( $Q < Q_{MIN}$ , see Q Tuning Section)

b) Non-inverting input (Figure 3) transfer equations are:

$$\frac{e_h}{e_{IN}} = \frac{s^2 \left[ \frac{1.1 + \frac{10^4}{RQ}}{1 + \frac{R_{IN}}{10^5}} \right]}{\Delta} \quad (\text{highpass})$$

$$\frac{e_b}{e_{IN}} = \frac{-s \omega_1 \left[ \frac{1.1 + \frac{10^4}{RQ}}{1 + \frac{R_{IN}}{10^5}} \right]}{\Delta} \quad (\text{bandpass})$$

$$\frac{e_l}{e_{IN}} = \frac{\omega_1 \omega_2 \left[ \frac{1.1 + \frac{10^4}{RQ}}{1 + \frac{R_{IN}}{10^5}} \right]}{\Delta} \quad (\text{lowpass})$$

$$\omega_1 = \frac{10^9}{R_{F1}} \quad \omega_2 = \frac{10^9}{R_{F2}}$$

where

$$\Delta = s^2 + s \omega_1 \left[ \frac{1.1 + \frac{10^4}{RQ}}{1 + \frac{10^5}{R_{IN}}} \right] + 0.1 \omega_1 \omega_2$$

$$\left. \frac{e_l}{e_{IN}} \right|_{s \rightarrow 0} = \frac{1.1 + \frac{10^4}{RQ}}{0.1 \left( 1 + \frac{R_{IN}}{10^5} \right)}$$

$$\left. \frac{e_h}{e_{IN}} \right|_{s \rightarrow \infty} = \frac{1.1 + \frac{10^4}{RQ}}{1 + \frac{R_{IN}}{10^5}}$$

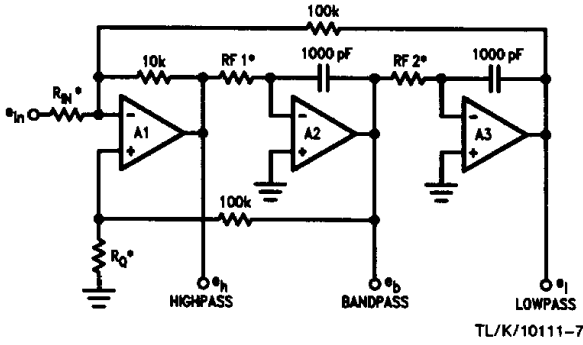
$$\left. \frac{e_b}{e_{IN}} \right|_{\omega = \omega_0} = - \frac{1 + \frac{10^4}{R_{IN}}}{1 + \frac{R_{IN}}{10^5}}$$

$$\omega_0 = \sqrt{0.1 \omega_1 \omega_2}$$

$$Q = \left[ \frac{1 + \frac{10^5}{R_{IN}}}{1.1 + \frac{10^4}{RQ}} \right] \sqrt{0.1 \frac{\omega_2}{\omega_1}}$$

$$RQ = \frac{10^4}{\left( 1 + \frac{10^5}{R_{IN}} \right) \left( \frac{\sqrt{0.1 \frac{\omega_2}{\omega_1}}}{Q} \right) - 1.1}$$

**Applications Information (Continued)**



TL/K/10111-7

\*External components

**FIGURE 4. Inverting Input**

c) Inverting input (Figure 4) transfer function equations are:

$$\frac{e_h}{e_{IN}} = \frac{-s^2 \frac{10^4}{R_{IN}}}{\Delta} \quad (\text{highpass})$$

$$\frac{e_b}{e_{IN}} = \frac{s \omega_1 \frac{10^4}{R_{IN}}}{\Delta} \quad (\text{bandpass})$$

$$\frac{e_l}{e_{IN}} = \frac{-\omega_1 \omega_2 \frac{10^4}{R_{IN}}}{\Delta} \quad (\text{lowpass})$$

$$\omega_1 = \frac{10^9}{R_{F1}} \quad \omega_2 = \frac{10^9}{R_{F2}}$$

where

$$\Delta = s^2 + s \omega_1 \left[ \frac{1.1 + \frac{10^4}{R_{IN}}}{1 + \frac{10^5}{R_Q}} \right] + 0.1 \omega_1 \omega_2$$

$$\left. \frac{e_l}{e_{IN}} \right|_{s \rightarrow 0} = -\frac{10^5}{R_{IN}} \quad (\text{lowpass})$$

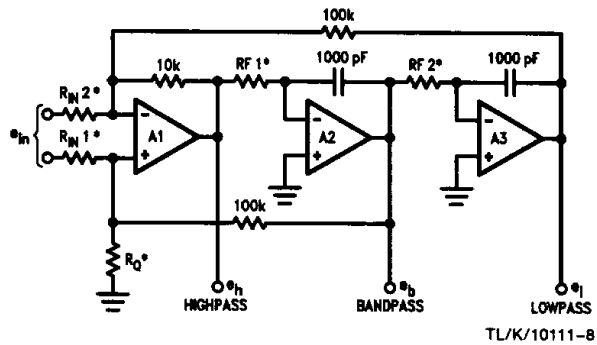
$$\left. \frac{e_h}{e_{IN}} \right|_{s \rightarrow \infty} = -\frac{10^4}{R_{IN}} \quad (\text{highpass})$$

$$\left. \frac{e_b}{e_{IN}} \right|_{\omega = \omega_0} = \frac{\frac{10^4}{R_{IN}} \left( 1 + \frac{10^5}{R_Q} \right)}{1.1 + \frac{10^4}{R_{IN}}} \quad (\text{bandpass})$$

$$\omega_0 = \sqrt{0.1 \omega_1 \omega_2}$$

$$Q = \left[ \frac{1 + \frac{10^5}{R_Q}}{1.1 + \frac{10^4}{R_{IN}}} \right] \sqrt{0.1 \frac{\omega_2}{\omega_1}}$$

$$RQ = \frac{10^5}{\frac{Q}{\sqrt{0.1 \frac{\omega_2}{\omega_1}}} \left( 1.1 + \frac{10^4}{R_{IN}} \right) - 1}$$



TL/K/10111-8

\*External components

**FIGURE 5. Differential Input**

d) Differential input (Figure 5) transfer function equations are:

$$\frac{e_h}{e_{IN}} = \frac{s^2 \frac{10^4}{R_{IN2}}}{\Delta} \quad (\text{highpass})$$

$$\frac{e_b}{e_{IN}} = \frac{-s \omega_1 \frac{10^4}{R_{IN2}}}{\Delta} \quad (\text{bandpass})$$

$$\frac{e_l}{e_{IN}} = \frac{-\omega_1 \omega_2 \frac{10^4}{R_{IN2}}}{\Delta} \quad (\text{lowpass})$$

$$\omega_1 = \frac{10^9}{R_{F1}} \quad \omega_2 = \frac{10^9}{R_{F2}}$$

where

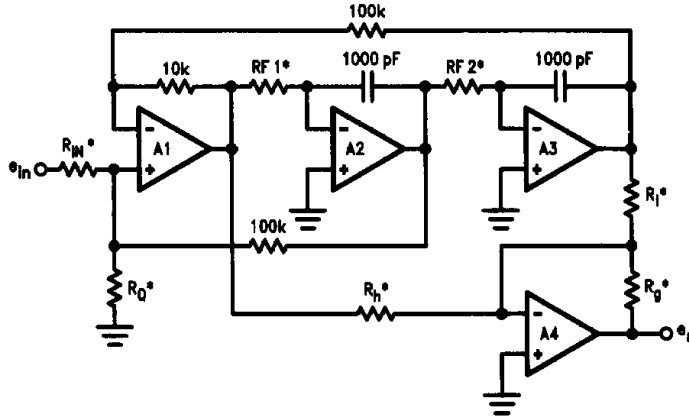
$$\Delta = s^2 + s \omega_1 \left[ \frac{1.1 + \frac{10^4}{R_{IN2}}}{1 + \frac{10^5}{R_Q} + \frac{10^5}{R_{IN1}}} \right] + 0.1 \omega_1 \omega_2$$

$$\omega_0 = \sqrt{0.1 \omega_1 \omega_2}$$

$$Q = \left[ \frac{1 + \frac{10^5}{R_Q} + \frac{10^5}{R_{IN1}}}{1.1 + \frac{10^4}{R_{IN2}}} \right] \sqrt{0.1 \frac{\omega_2}{\omega_1}}$$

$$RQ = \frac{10^5}{\frac{Q}{\sqrt{0.1 \frac{\omega_2}{\omega_1}}} \left( 1.1 + \frac{10^4}{R_{IN2}} \right) - 1 - \frac{10^5}{R_{IN1}}}$$

Applications Information (Continued)



\*External components

TL/K/10111-9

FIGURE 6. Output Notch Using All Four Amplifiers

e) Output notch (Figure 6) transfer function equations are:

$$\frac{e_n}{e_{IN}} = \frac{(s^2 + \omega_z^2) \left[ \frac{1.1}{1 + \frac{R_{IN}}{10^5} + \frac{R_{IN}}{RQ}} \right] \frac{R_g}{R_h}}{s^2 + s\omega_1 \left[ \frac{1.1}{1 + \frac{10^5}{RQ} + \frac{10^5}{R_{IN}}} \right] + 0.1 \omega_1 \omega_2}$$

$$\omega_1 = \frac{10^9}{R_{F1}} \quad \omega_2 = \frac{10^9}{R_{F2}} \quad \omega_0 = \sqrt{0.1 \omega_1 \omega_2}$$

$$\omega_z = \omega_0 \sqrt{\frac{10 R_h}{R_l}}$$

$$\left. \frac{e_n}{e_{IN}} \right|_{s \rightarrow 0} = \frac{11}{\left(1 + \frac{R_{IN}}{10^5} + \frac{R_{IN}}{RQ}\right)} \frac{R_g}{R_l}$$

$$\left. \frac{e_n}{e_{IN}} \right|_{s \rightarrow \infty} = \frac{1.1}{\left(1 + \frac{R_{IN}}{10^5} + \frac{R_{IN}}{RQ}\right)} \frac{R_g}{R_h}$$

$$\left. \frac{e_n}{e_{IN}} \right|_{\omega = \omega_z} = 0$$

f) Input notch (Figure 7) transfer function equations are:

$$\frac{e_n}{e_{IN}} = \frac{\frac{C_z}{10^{-9}} [s^2 + \omega_z^2]}{s^2 + s\omega_1 \left[ \frac{1.1 RQ}{10^5 + RQ} \right] + \omega_0^2}$$

$$\omega_1 = \frac{10^9}{R_{F1}} \quad \omega_2 = \frac{10^9}{R_{F2}}$$

$$\omega_z = \omega_0 \sqrt{\frac{R_{F2} \times 10^{-9}}{R_z C_z}} \quad \omega_0 = \sqrt{0.1 \omega_1 \omega_2}$$

$$\left. \frac{e_n}{e_{IN}} \right|_{\omega \rightarrow 0} = -\frac{R_{F2}}{R_z}$$

$$\left. \frac{e_n}{e_{IN}} \right|_{\omega \rightarrow \infty} = -\frac{C_z}{10^{-9}}$$

g) Allpass (Figure 8) transfer function equations are:

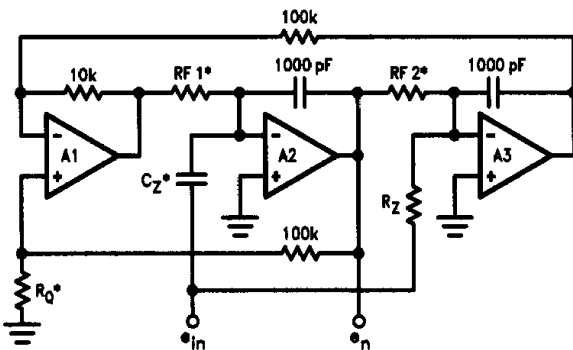
$$\frac{e_o}{e_{IN}} = - \frac{\left[ s^2 - s\omega_1 \left[ \frac{1.1}{2 + \frac{R_{IN}}{RQ}} \right] + \omega_0^2 \right]}{\left[ s^2 + s\omega_1 \left[ \frac{1.1}{2 + \frac{R_{IN}}{RQ}} \right] + \omega_0^2 \right]}$$

$$Q = \frac{2 + \frac{10^5}{RQ}}{1.1} \sqrt{0.1 \frac{\omega_2}{\omega_1}}$$

$$\omega_1 = \frac{10^9}{R_{F1}} \quad \omega_2 = \frac{10^9}{R_{F2}}$$

$$\omega_0 = \sqrt{0.1 \omega_1 \omega_2}$$

$$\text{Time delay at } \omega = \frac{2Q}{\omega_0} \text{ seconds}$$

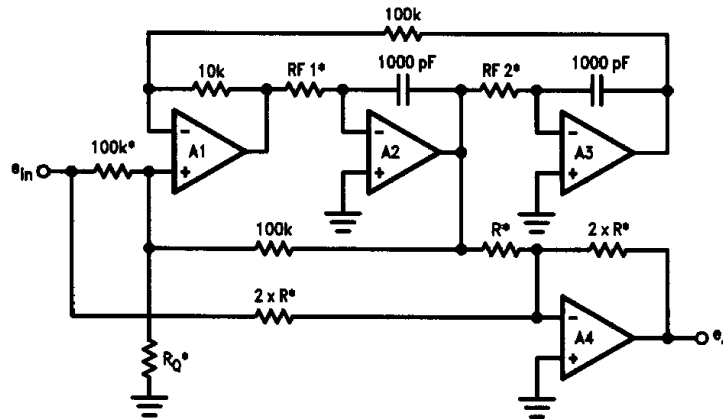


\*External components

TL/K/10111-10

FIGURE 7. Input Notch Using Three Amplifiers

Applications Information (Continued)



\*External components

FIGURE 8. Allpass

TL/K/10111-11

FREQUENCY TUNING

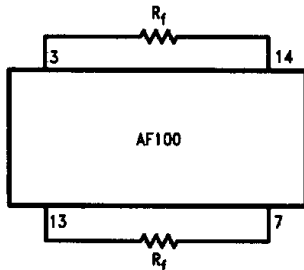
To tune the AF100 two resistors are required for frequencies between 200 Hz and 10 kHz. For lower frequencies "T" tuning or addition of external capacitors is required. Using external capacitors allows the user to go as low in frequency as he desires. "T" tuning and external capacitors can be used together.

"T" resistive tuning for  $f_0 < 200$  Hz

$$R_s = \frac{R_t^2}{R_f - 2R_t} \quad R_t < \frac{R_f}{2}$$

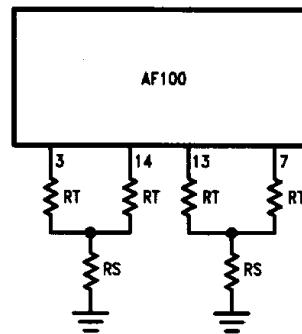
Two resistor tuning for 200 Hz to 10 kHz

$$R_f = \frac{50.33 \times 10^6}{f_0} \Omega$$



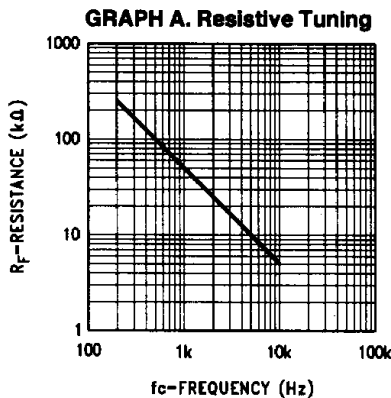
TL/K/10111-12

FIGURE 9. Resistive Tuning

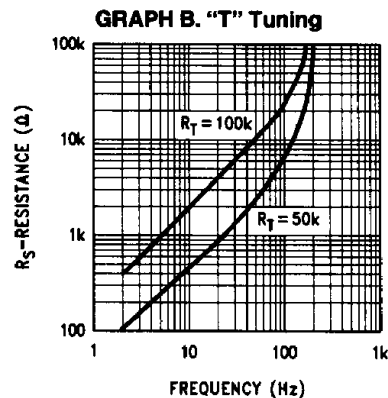


TL/K/10111-14

FIGURE 10. T Tuning



TL/K/10111-13

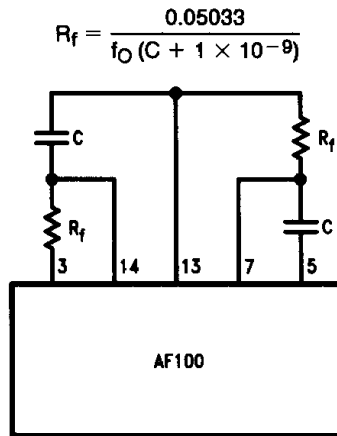


TL/K/10111-15

1

**Applications Information** (Continued)

RC tuning for  $f_0 < 200$  Hz

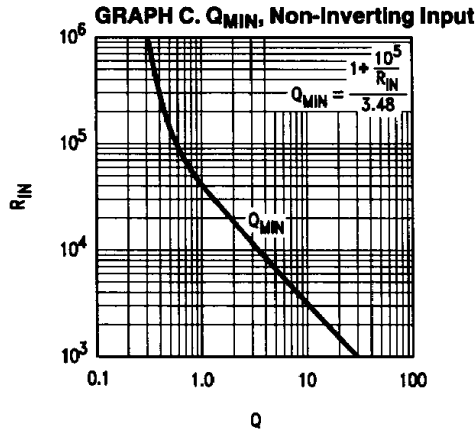


TL/K/10111-16

**FIGURE 11. Low Frequency RC Tuning**

**Q TUNING**

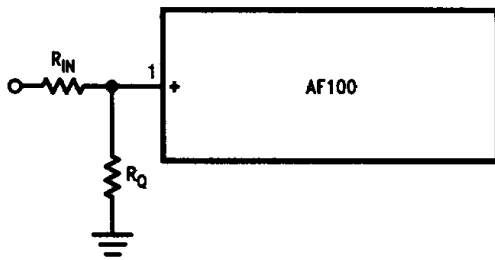
To tune the Q of an AF100 requires one resistor from pins 1 or 2 to ground. The value of the Q tuning resistor depends on the input connection and input resistance as well as the value of the Q. The Q of the unit is inversely proportional to resistance to ground at pin 1 and directly proportional to resistance to ground from pin 2.



TL/K/10111-17

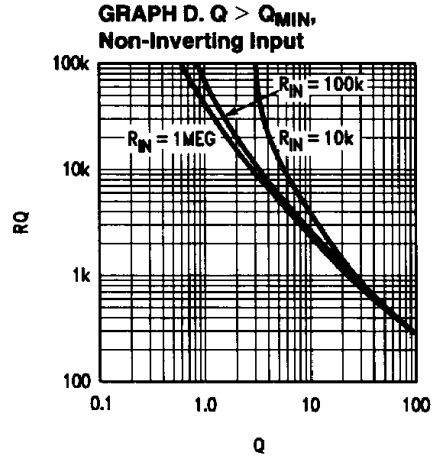
For  $Q > Q_{MIN}$  in non-inverting mode:

$$RQ = \frac{10^5}{3.48Q - 1 - \frac{10^5}{R_{IN}}}$$



TL/K/10111-18

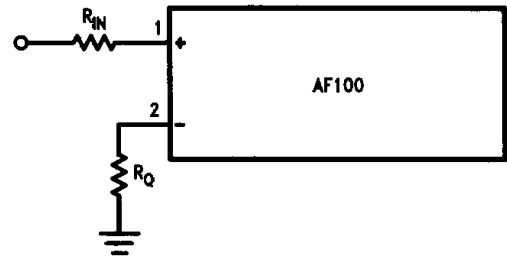
**FIGURE 12. Q Tuning for  $Q > Q_{MIN}$ , Non-Inverting Input**



TL/K/10111-19

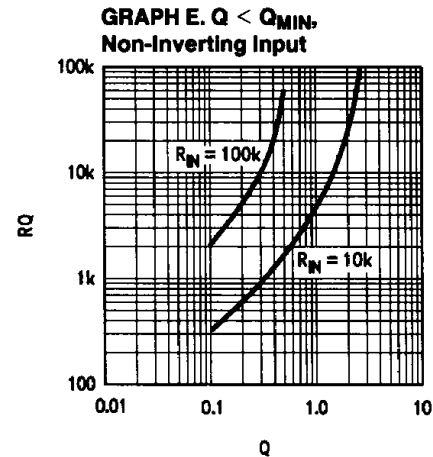
For  $Q < Q_{MIN}$  in non-inverting mode:

$$RQ = \frac{10^4}{0.3162 \frac{1 + \frac{10^5}{R_{IN}}}{Q} - 1.1}$$



TL/K/10111-20

**FIGURE 13. Q Tuning for  $Q < Q_{MIN}$ , Non-Inverting Input**



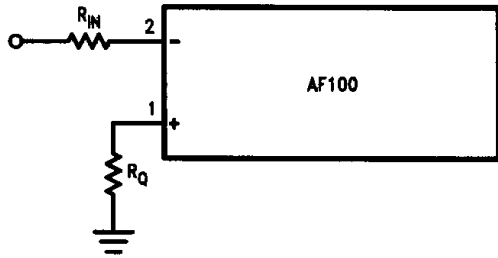
TL/K/10111-21



### Applications Information (Continued)

For any Q in inverting mode:

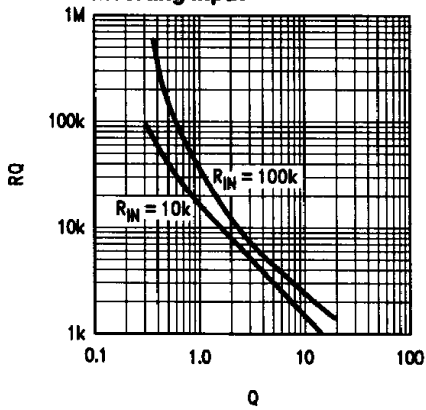
$$RQ = \frac{10^5}{3.16Q \left( 1.1 + \frac{10^4}{R_{IN}} \right) - 1}$$



TL/K/10111-22

FIGURE 14. Q Tuning Inverting Input

GRAPH F. Q Tuning Inverting Input



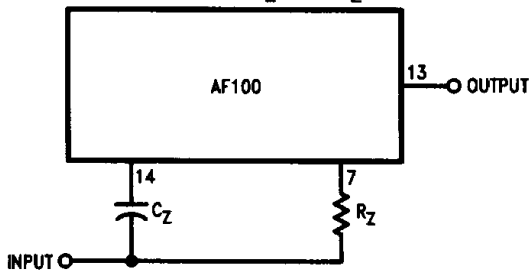
TL/K/10111-23

### NOTCH TUNING

Two methods to generate notches are the RC input and lowpass/highpass summing. The RC input method requires adding a capacitor and resistor connected to the two integrator inputs. The capacitor connects to "Int 1" and the resistor connects to "Int 2". The output summing requires two resistors connected to the lowpass and highpass output.

For input RC notch tuning:

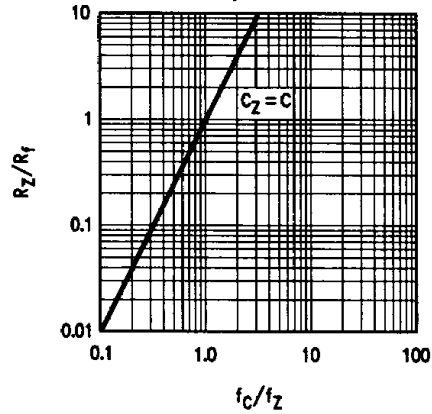
$$R_Z = \frac{R_F \times 10^{-9}}{C_Z} \left( \frac{f_O}{f_Z} \right)^2$$



TL/K/10111-24

FIGURE 15. Input RC Notch

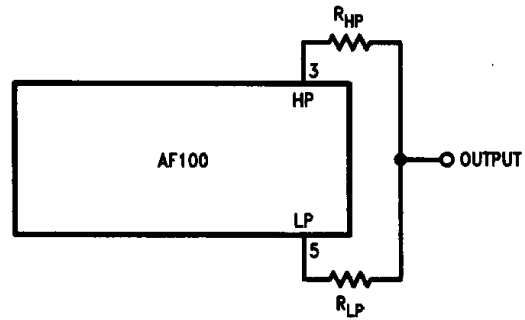
GRAPH G. Input RC Notch



TL/K/10111-25

For output notch tuning:

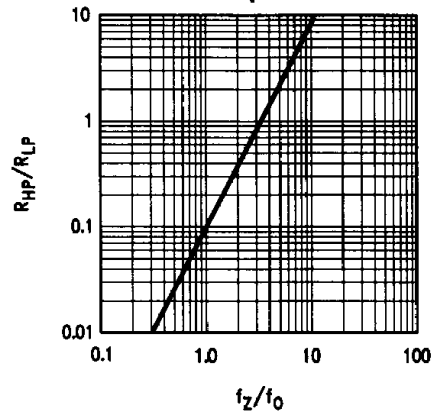
$$R_{HP} = \left( \frac{f_Z}{f_O} \right)^2 \frac{R_{LP}}{10}$$



TL/K/10111-26

FIGURE 16. Output Notch

GRAPH H. Output Notch



TL/K/10111-27

1

## Applications Information (Continued)

### TUNING TIPS

In applications where 2% to 3% accuracy is not sufficient to provide the required filter response, the AF100 stages can be tuned by adding trim pots or trim resistors in series or parallel with one of the frequency determining resistors and the Q determining resistor.

When tuning a filter section, no matter what output configuration is to be used in the circuit, measurements are made between the input and the bandpass (pin 13) output.

Before any tuning is attempted the lowpass (pin 7) output should be checked to see that the output is not clipping. At the center frequency of the section the lowpass output is 10 dB higher than the bandpass output and 20 dB higher than the highpass. This should be kept in mind because if clipping occurs the results obtained when tuning will be incorrect.

### Frequency Tuning

By adjusting the resistance between pins 7 and 13 the center frequency of a section can be adjusted. If the input is through pin 1 the phase shift at center frequency will be 180° and if the input is through pin 2 the phase shift at center frequency will be 0°. Adjusting center frequency by phase is the most accurate but tuning for maximum gain is also correct.

### "Q" Tuning

The "Q" is tuned by adjusting the resistance between pin 1 or 2 and ground. Low Q tuning resistors will be from pin 2 to ground ( $Q < 0.6$ ). High Q tuning resistors will be from pin 1 to ground. To tune the Q correctly the signal source must have an output impedance very much lower than the input resistance of the filter since the input resistance affects the Q. The input must be driven through the same resistance the circuit will see to obtain precise adjustment.

The lower 3 dB (45°) frequency,  $f_L$ , and the upper 3 dB (45°) frequency,  $f_H$ , can be calculated by the following equations:

$$f_H = \left( \frac{1}{2Q} + \sqrt{\left(\frac{1}{2Q}\right)^2 + 1} \right) \times (f_0)$$

where  $f_0$  = center frequency

$$f_L = \left( \sqrt{\left(\frac{1}{2Q}\right)^2 + 1} - \frac{1}{2Q} \right) \times (f_0)$$

When adjusting the Q, set the signal source to either  $f_H$  or  $f_L$  and adjust for 45° phase change or a 3 dB gain change.

### Notch Tuning

If a circuit has a jw axis zero pair the notch can be tuned by adjusting the ratio of the summing resistors (lowpass/highpass summing) or the input resistance (input RC).

In either case the signal is connected to the input and the proper resistor is adjusted for a null at the output.

### Special Cases

When using the input RC notch the unit cannot be tuned through the normal input so an additional 100k resistor can be added at pin 1 and the unit can be tuned normally. Then the 100k input resistor should be grounded and the notch tuned through the normal RC input.

An alternative way of tuning is to tune using the Q resistor as the input. This requires the Q resistor be lifted from ground and connecting the signal source to the normally grounded end of the Q resistor. This has the problem that when the Q resistor is grounded after tuning, its value is decreased by the output impedance of the source. This technique has the advantage of not requiring an additional resistor.

### TUNING PROCEDURE (See Figure 17)

#### Center Frequency Tuning

Set oscillator to center frequency desired for the filter section, adjust amplitude and check that clipping does not occur at the lowpass output pin 5 (AF100J).

Adjust the resistance between pins 13 and 7 until the phase shift between input and bandpass output is 180°.

#### Q Tuning

Set oscillator to upper or lower 45° frequency (see tuning tips) and tune the Q resistor until the phase shift is 135° (upper 45° frequency) or 225° (lower 45° frequency).

#### Zero Tuning

Set the oscillator output to the zero frequency and tune the zero resistor for a null at the output of the summing amplifier.

#### Gain Adjust

Set the oscillator to any desired frequency and the gain can be adjusted by measuring the output of the summing amplifier and adjusting the feedback resistance.

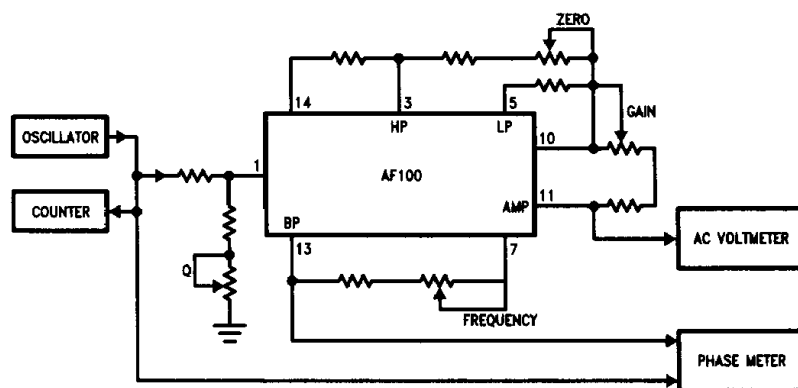
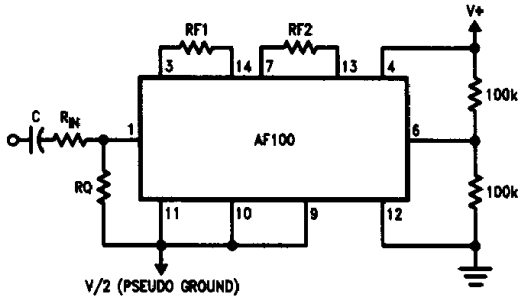


FIGURE 17. Filter Tuning Setup

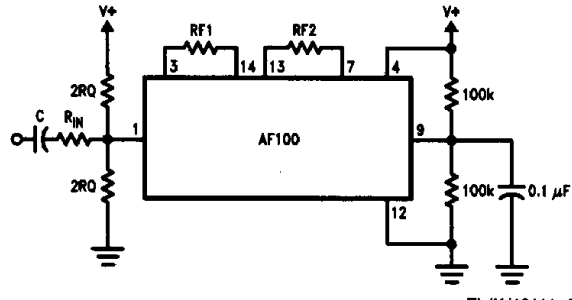
TL/K/10111-28

Applications Information (Continued)



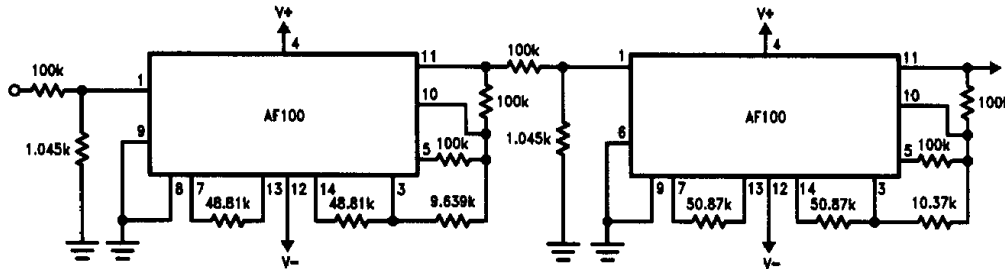
TL/K/10111-29

FIGURE 18. Single Power Supply Connection Using Uncommitted Amplifier to Split Supply



TL/K/10111-30

FIGURE 19. Single Power Supply Connection Using Relative Dividers

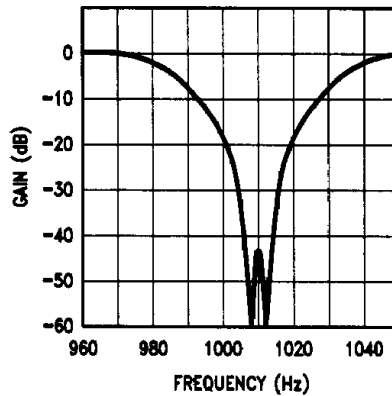


TL/K/10111-31

Performance

- 0.1 dB ripple passband
- 0.1 dB notch width = 100 Hz
- 40 dB notch width = 6.25 Hz

4th Order 1010 Hz Notch



STAGE 1

$F_C = 1031.1 \text{ Hz}$
$Q = 28.34$
$F_Z = 1012.2 \text{ Hz}$

STAGE 2

$F_C = 989.3 \text{ Hz}$
$Q = 28.34$
$F_Z = 1007.8 \text{ Hz}$

TL/K/10111-32

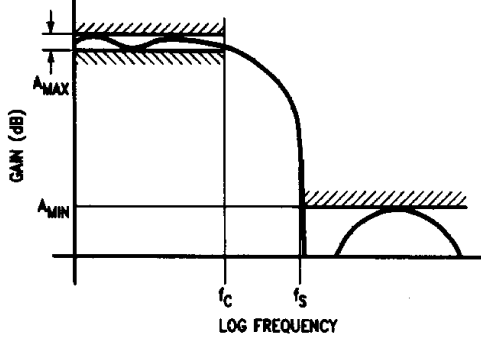
FIGURE 20. 1010 Hz Notch—Telephone Holding Tone Reject Filter

FILTER DESIGN

Since most filter tables are in terms of a normalized lowpass prototype, the filter to be designed is usually reduced to a lowpass prototype. After the lowpass transfer function is

found, it is transformed to obtain the transfer function for the actual filter desired. Graph 1 shows the lowpass amplitude response which can be defined by four quantities.

**Applications Information** (Continued)  
**GRAPH I. Lowpass Prototype Response**



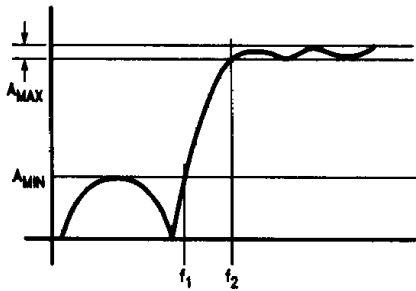
TL/K/10111-33

$A_{MAX}$  = the maximum peak to peak ripple in the passband.  
 $A_{MIN}$  = the minimum attenuation in the stopband.  
 $f_C$  = the passband cutoff frequency.  
 $f_S$  = the stopband start frequency.

By defining these four quantities for the lowpass prototype the normalized pole and zero locations and the Q (quality) of the poles can be determined from tables or by computer programs.

To obtain the lowpass prototype for the highpass filter (Graph J)  $A_{MAX}$  and  $A_{MIN}$  are the same as for the lowpass case but  $f_C = 1/f_2$  and  $f_S = 1/f_1$ .

**GRAPH J. Highpass Response**



TL/K/10111-34

To obtain the lowpass prototype for a bandpass filter (Graph K)  $A_{MAX}$  and  $A_{MIN}$  are the same as for the lowpass case but

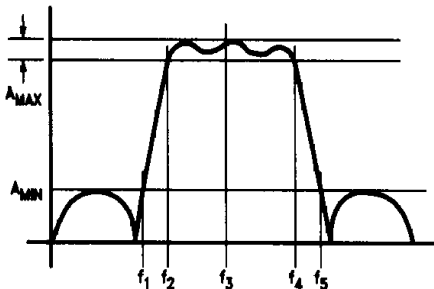
$$f_C = 1 \quad f_S = \frac{f_5 - f_1}{f_4 - f_2}$$

where  $f_3 = \sqrt{f_1 f_5} = \sqrt{f_2 f_4}$  i.e., geometric symmetry

$$f_5 - f_1 = A_{MIN} \text{ bandwidth}$$

$$f_4 - f_2 = \text{Ripple bandwidth}$$

**GRAPH K. Bandpass Response**



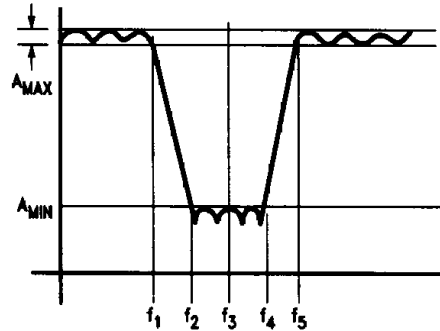
TL/K/10111-35

To obtain the lowpass prototype for the notch filter (Graph L)  $A_{MAX}$  and  $A_{MIN}$  are the same as for the lowpass case and

$$f_C = 1 \quad f_S = \frac{f_5 - f_1}{f_4 - f_2}$$

where  $f_3 = \sqrt{f_1 f_5} = \sqrt{f_2 f_4}$

**GRAPH L. Notch Response**



TL/K/10111-36

**Normalized Lowpass Transformed to Un-Normalized Lowpass**

The normalized lowpass filter has the passband edge normalized to unity. The un-normalized lowpass filter instead has the passband edge at  $f_C$ . The normalized and un-normalized lowpass filters are related by the transformation  $s = s\omega_C$ . This transforms the normalized passband edge  $s = j$  to the un-normalized passband edge  $s = j\omega_C$ .

**Normalized Lowpass Transformed to Un-Normalized Highpass**

The transformation that can be used for lowpass to highpass is  $S = \omega_C/s$ . Since  $S$  is inversely proportional to  $s$ , the low frequency and high frequency responses are interchanged. The normalized lowpass  $1/(S^2 + S/Q + 1)$  transforms to the un-normalized highpass

$$\frac{s^2}{s^2 + \frac{\omega_C}{Q}s + \omega_C^2}$$

**Normalized Lowpass Transformed to Un-Normalized Bandpass**

The transformation that can be used for lowpass to bandpass is  $S = (s^2 + \omega_0^2)/BW$  where  $\omega_0^2$  is the center frequency of the desired bandpass filter and  $BW$  is the ripple bandwidth.

**Normalized Lowpass Transformed to Un-Normalized Bandstop (or Notch)**

The bandstop filter has a reciprocal response to a bandpass filter. Therefore a bandstop filter can be obtained by first transforming the lowpass prototype to a highpass and then performing the bandpass transformation.

**SELECTION OF TRANSFER FUNCTION**

The selection of a function which approximates the shape of the response desired is a complicated process. Except in the simplest cases it requires the use of tables or computer programs. The form of the transfer function desired is in terms of the pole and zero locations. The most common approximations found in tables are Butterworth, Tschebyscheff, Elliptic, and Bessel. The decision as to which approximation to use is usually a function of the requirements and

## Applications Information (Continued)

system objectives. Butterworth filters are the simplest but have the disadvantage of requiring high order transfer functions to obtain sharp roll-offs.

The Tschebycheff function is a min/max approximation in the passband. This approximation has the property that it is equiripple which means that the error oscillates between maximums and minimums of equal amplitude in the passband. the Tschebycheff approximation, because of its equiripple nature, has a much steeper transition region than the Butterworth approximation.

The elliptic filter, also known as Caer or Zolotarev filters, are equiripple in the passband and stopband and have a steeper transition region than the Butterworth or the Tschebycheff.

For a specific lowpass filter three quantities can be used to determine the degree of the transfer function: the maximum passband ripple, the minimum stopband attenuation, and the transition ratio ( $tr = \omega_S/\omega_C$ ). Decreasing  $A_{MAX}$ , increasing  $A_{MIN}$ , or decreasing  $tr$  will increase the degree of the transfer function. But for the same requirements the elliptic filter will require the lowest order transfer function. Tables and graphs are available in reference books such as "Reference Data for Radio Engineers", Howard W. Sams & Co., Inc., 5th Edition, 1970 and Erich Christian and Egon Eisenmann, "Filter Design Tables and Graphs", John Wiley and Sons, 1966.

For specific transfer functions and their pole locations such text as Louis Weinberg, "Network Analysis and Synthesis", McGraw Hill Book Company, 1962 and Richard W. Daniels, "Approximation Methods for Electronic Filter Design", McGraw-Hill Book Company, 1974, are available.

### DESIGN OF CASCADED MULTISECTION FILTERS

The first step in designing is to define the response required and define the performance specifications:

1. Type of filter:  
Lowpass, highpass, bandpass, notch, allpass
2. Attenuation and frequency response
3. Performance  
Center frequency/corner frequency plus tolerance and stability  
Insertion loss/gain plus tolerance and stability  
Source impedance  
Load impedance

- Maximum output noise
- Power consumption
- Power supply voltage
- Dynamic range
- Maximum output level

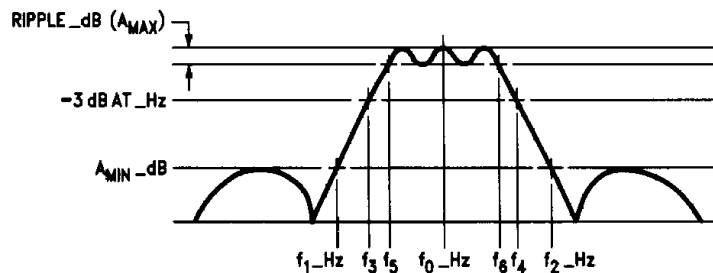
The second step is to find the pole and zero location for the transfer function which meet the above requirements. This can be done by using tables and graphs or network synthesis. The form of the transfer function which is easiest to convert to a cascaded filter is a product of first and second order terms in these forms:

$\frac{K}{s + \omega_R}$	$\frac{K}{s^2 + \frac{\omega_0}{Q}s + \omega_0^2}$	(lowpass)
$\frac{Ks}{s + \omega_R}$	$\frac{Ks^2}{s^2 + \frac{\omega_0}{Q}s + \omega_0^2}$	(highpass)
	$\frac{Ks}{s^2 + \frac{\omega_0}{Q}s + \omega_0^2}$	(bandpass)
	$\frac{K(s^2 + \omega_z^2)}{s^2 + \frac{\omega_0}{Q}s + \omega_0^2}$	(notch)
	$\frac{s^2 - \frac{\omega_0}{Q}s + \omega_0^2}{s^2 + \frac{\omega_0}{Q}s + \omega_0^2}$	(allpass)

Each of the second order functions is realizable by tuning an AF100 stage. By cascading these stages the desired transfer function is realized.

### CASCADING SECOND ORDER STAGES

The primary concern in cascading second order stages is to minimize the maximum difference in amplitude from input to output over the frequencies of interest. A computer program is probably required in very complicated cases but some general rules that can be used that will usually give satisfactory results are:

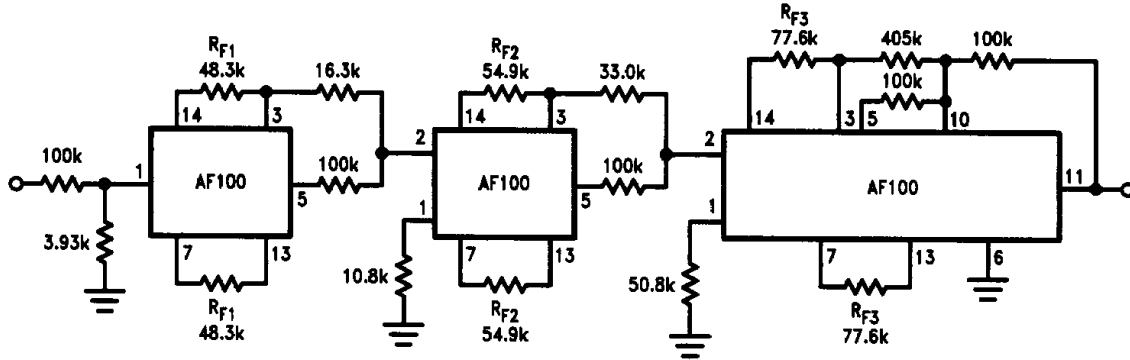


GRAPH M. Generalized Model Response

TL/K/10111-37

**Applications Information** (Continued)

1. The highest "Q" pole pair should be paired with the zero pair closest in frequency.
2. If highpass and lowpass stages are cascaded the low-pass sections should be the higher frequency and high-pass sections the lower frequency.
3. In cascaded filters of more than two sections the first section should be the section with "Q" closest to 0.707 and then additional stages should be added in order of least difference between first stage Q and their Q.



TL/K/10111-38

**Lowpass Elliptic Filter**

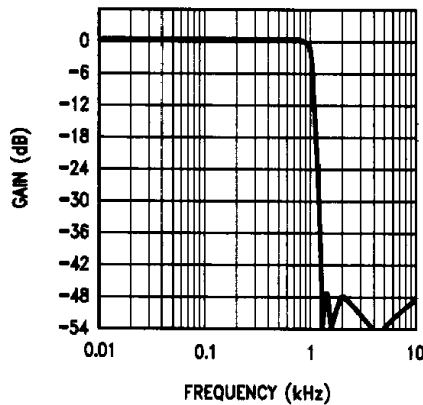
$F_C = 1$   
 $F_S = 1.3$   
 $A_{MAX} = 0.1 \text{ dB}$   
 $A_{MIN} = 40 \text{ dB}$   
 $N = 6$

$f_{O1} = 1.0415 \quad Q_1 = 7.88 \quad f_{z1} = 1.329 \quad f_z/f_O = 1.28 \left(\frac{f_z}{f_O}\right)^2 = 1.63$   
 $f_{O2} = 0.9165 \quad Q_2 = 1.79 \quad f_{z2} = 1.664 \quad f_z/f_O = 1.82 \left(\frac{f_z}{f_O}\right)^2 = 3.30$   
 $f_{O3} = 0.649 \quad Q_3 = 0.625 \quad f_{z3} = 4.1285 \quad f_z/f_O = 6.36 \left(\frac{f_z}{f_O}\right)^2 = 40.5$

$R_{F1} = \frac{(503.3)}{f_{O1} \times f_C} \times 10^5 \quad R_{F2} = \frac{(503.3)}{f_{O2} \times f_C} \times 10^5 \quad R_{F3} = \frac{(503.3)}{f_{O3} \times f_C}$   
 at 1000 Hz =  $f_C$

$R_{F1} = 48.3k \quad R_{F2} = 54.9k \quad R_{F3} = 77.6k$

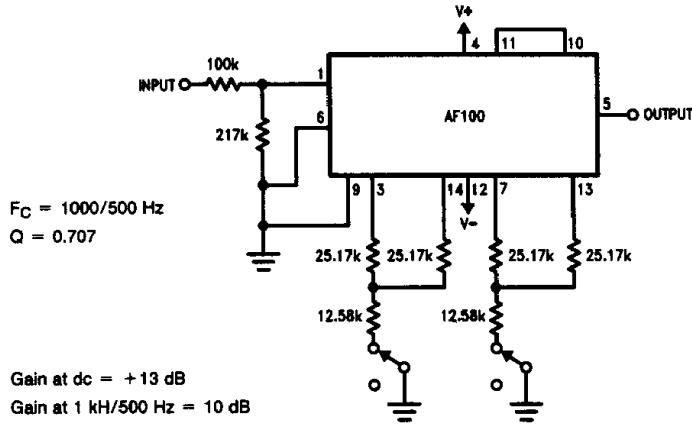
**6th Order Elliptic Filter**



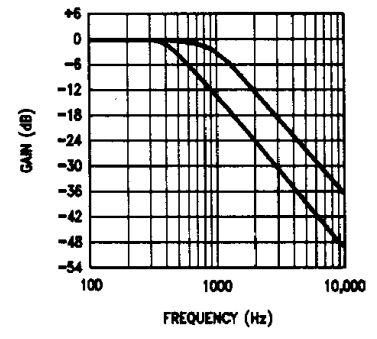
TL/K/10111-39

**FIGURE 21. Lowpass Elliptic Filter Example**

Applications Information (Continued)

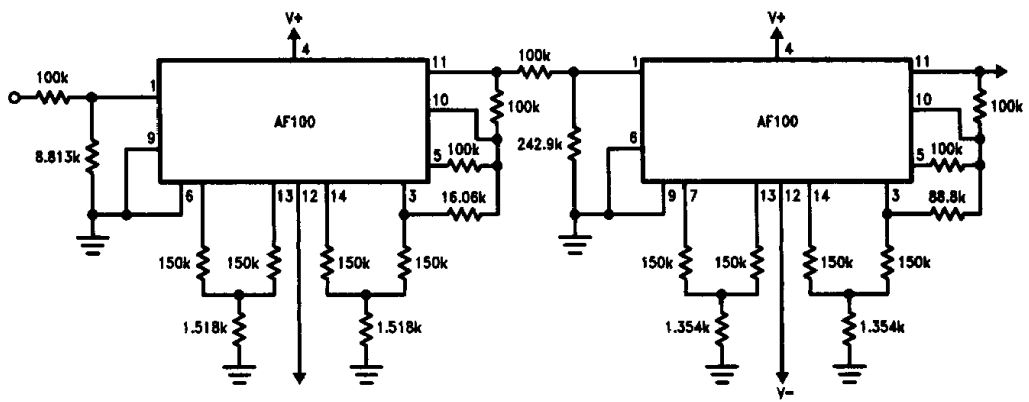


500/1000 Hz Switchable Butterworth Lowpass Filter

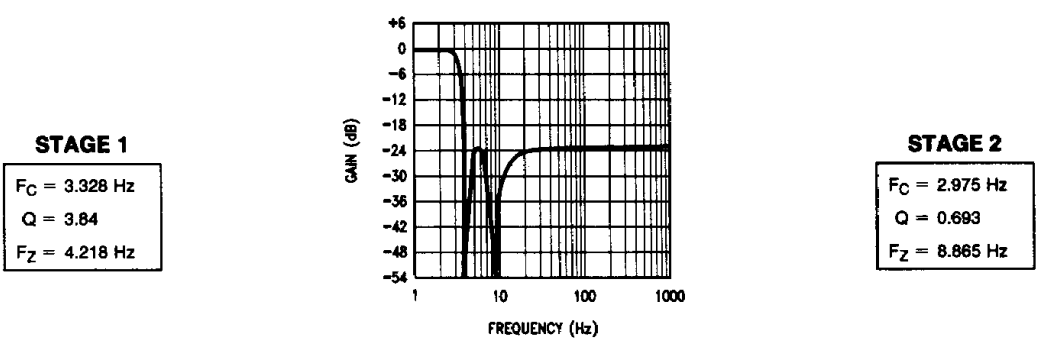


TL/K/10111-40

FIGURE 22. Switchable Filter Example: 500 Hz/1000 Hz Butterworth Lowpass



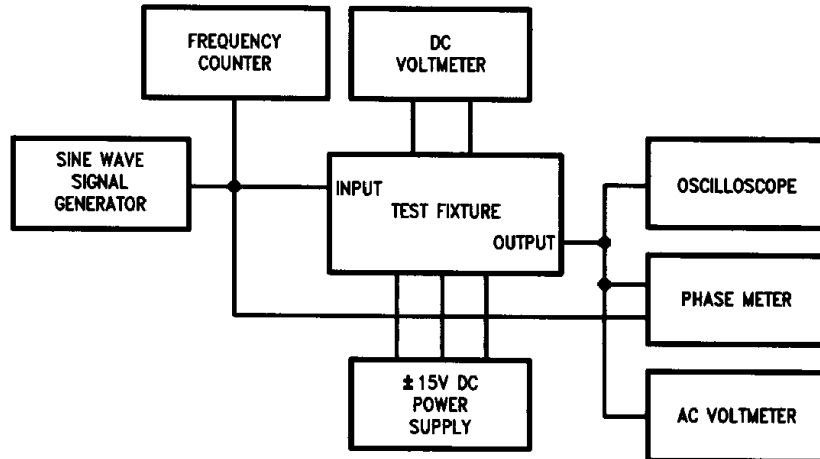
TL/K/10111-42



TL/K/10111-43

FIGURE 23. EEG Delta Filter—3 Hz Lowpass

## Applications Information (Continued)



Input Level 1V rms 0 dBV

TL/K/10111-44

FIGURE 25. Test Circuit Block Diagram

**COMPUTER AIDED DESIGN EXAMPLE\***

This design is an example of a 60 Hz notch filter. The response is to have the following specifications:

- Maximum passband ripple 0.1 dB
- Minimum rejection 35 dB
- 0.1 dB bandwidth 15 Hz max
- 35 dB bandwidth 1.5 Hz min

\*Computer programs shown are user interactive. Bold copy is user input, light copy is computer response, and line indications in parenthesis are included for easy identification of data common to several programs.

The steps in the design of this filter are:

1. Design a lowpass "prototype" for the filter.
2. Transformation of the lowpass prototype into a notch filter design.
3. Using the pole and zero locations found in step two calculate the value of the resistors required to build the filter.
4. Draw a schematic of filter using values obtained in step three.

**PROGRAM NO. 1****RUN**

THIS PROGRAM DESIGNS BUTTERWORTH CHEBYCHEFF OR ELLIPTIC NORMALIZED LOWPASS FILTERS  
WHAT TYPE OF FILTER? B-C-E

**ELLIPTIC**

DO YOU KNOW THE ORDER OF THE FILTER? Y/N

**? NO**

INPUT FC,FS,AMAX,AMIN

**? 1, 10, .1, 35**

FC	1.000	
FS	10.000	
AMAX	.100	
AMIN	35.000	
N	2.000	
ATT AT FS	-35.671	(ATTENUATION IN dB)

IS THIS SATISFACTORY? Y/N

**? YES**

F	Q	
1.823 (Line 1.1)	.775 (Line 1.2)	
Z		
14.124 (Line 1.3)		



**Applications Information** (Continued)

**PROGRAM NO. 2**  
**(DETERMINES UN-NORMALIZED POLE + ZERO**  
**LOCATIONS OF FIRST SECTION)**  
**(DATA ENTERED FROM PROGRAM NO. 1)**

**RUN**

WHAT TYPE FILTER BANDPASS OR NOTCH

? **NOTCH**ENTER # OF POLE PAIRS? **1**ENTER # OF JW AXIS ZEROS? **1**ENTER # OF REAL POLES? **0**ENTER # OF ZEROS AT ZERO? **0**ENTER # OF COMPLEX ZEROS? **0**ENTER # OF REAL ZEROS? **0**ENTER F&Q OF EACH POLE PAIR  
? **1.823, .775 (FROM LINE 1.1 AND LINE 1.2)**ENTER VALUES OF JW AXIS ZEROS  
? **14.124 (FROM 1.3)**

ENTER FREQUENCY SCALING FACTOR

? **1**

ENTER THE # OF FILTERS TO BE DESIGNED

? **1**

ENTER THE C.F. AND BW OF EACH FILTER

? **60, 15**

**OUTPUT OF PROGRAM NO. 2**  
**TRANSFORMED POLE/ZERO LOCATIONS**  
**FIRST SECTION**

**POLE LOCATIONS**

	CENTER FREQ.	Q
	56.93601 <i>(From Line 2.3)</i>	11.31813 <i>(From Line 2.4)</i>
	63.228877 <i>(From Line 2.5)</i>	11.31813 <i>(From Line 2.6)</i>
<b>JW AXIS ZEROS</b>		
	59.471339 <i>(From Line 2.1)</i>	
	60.533361 <i>(From Line 2.2)</i>	

**PROGRAM NO. 3**  
**(CHECK OF FILTER RESPONSE USING**  
**PROGRAM NO. 2 DATA BASE)**

**RUN**

NUMERATOR [ZEROS]

A(I)S<sup>2</sup> + R(I)S + Z(I)<sup>2</sup>1 0 59.471339 *(From Line 2.1)*1 0 60.533361 *(From Line 2.2)*

REAL POLE

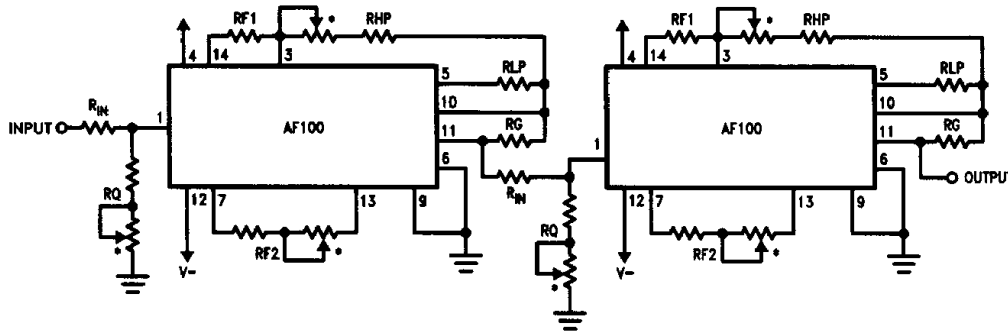
COMPLEX POLE PAIRS

	F	Q
1	56.93601	11.31813 <i>(From Lines 2.3 and 2.4)</i>
2	63.228877	11.31813 <i>(From Lines 2.5 and 2.6)</i>

**RUN**

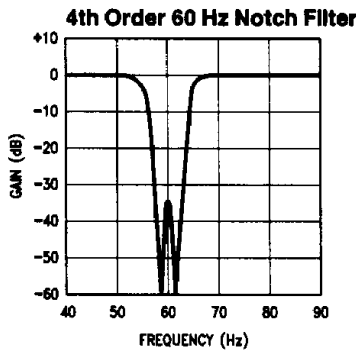
FREQ.	NOR. GAIN (DB)	PHASE	DELAY	NOR. DELAY	FREQ.	NOR. GAIN (DB)	PHASE	DELAY	NOR. DELAY
40.000	.032	347.69	.002275	5.847169	60.600	-47.102	169.17	.050801	108.232021
45.000	.060	342.20	.004107	8.749738	60.800	-33.650	165.48	.051677	110.096278
50.000	.100	330.70	.009983	21.268142	61.000	-27.577	161.72	.052809	112.508334
55.000	-.795	290.54	.046620	99.324027	61.200	-23.418	157.87	.054167	115.403169
56.000	-2.298	270.61	.063945	136.234562	61.400	-20.198	153.92	.055712	118.694436
57.000	-5.813	245.51	.072894	155.299278	61.600	-17.554	149.85	.057391	122.270086
58.000	-12.748	220.19	.065758	140.096912	61.800	-15.308	145.65	.059136	125.989157
58.200	-14.740	215.54	.063369	135.006390	62.000	-13.362	141.33	.060869	129.681062
58.400	-17.032	211.06	.060979	129.914831	63.000	-6.557	118.23	.065975	140.559984
58.600	-19.722	206.76	.058692	125.043324	64.000	-2.936	95.30	.059402	126.556312
58.800	-22.983	202.61	.056588	120.561087	65.000	-1.215	76.38	.045424	96.774832
59.000	-27.172	198.60	.054724	116.589928	66.000	-.463	62.43	.032614	69.484716
59.200	-33.235	194.72	.053139	113.212012	67.000	-.138	52.44	.023498	50.062947
59.400	-46.300	190.94	.051856	110.478482	70.000	.091	35.43	.010452	22.267368
59.600	-42.909	7.24	.050888	108.417405	75.000	.085	23.44	.004250	9.054574
59.800	-36.897	3.60	.050242	107.040235	80.000	.060	17.80	.002310	4.921727
60.00	-35.567	360.00	.049916	106.346516	85.000	.043	14.50	.001460	3.110493
60.200	-36.887	356.41	.049907	106.326777	90.000	.032	12.31	.001011	2.154297
60.400	-42.757	352.81	.050206	106.963750					

**Applications Information** (Continued)



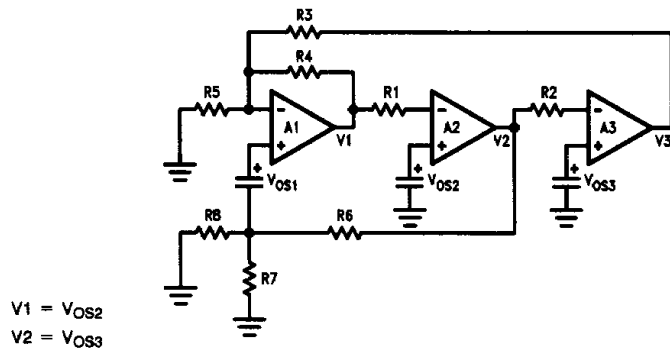
\*Tuning Resistors  
 0.1 dB bandwidth 15 Hz  
 -35 dB bandwidth 1.5 Hz

TL/K/10111-45



**FIGURE 26. Implementations of a 60 Hz Notch from Computer Calculations**

TL/K/10111-46



V1 = Vos2  
 V2 = Vos3

$$V3 = \frac{\left[ 1 + \left( \frac{R3 + R5}{R3R5} \right) R4 \right] \left[ Vos1 + Vos3 \left( \frac{R7R8}{R7R8 + R6(R7 + R8)} \right) \right] - Vos2}{\frac{R4}{R3}}$$

**FIGURE 27. DC Output Voltage Due to Amplifier Vos**

TL/K/10111-47

**DEFINITION OF TERMS**

- A<sub>MAX</sub> Maximum passband peak-to-peak ripple
- A<sub>MIN</sub> Minimum stopband loss
- f<sub>Z</sub> Frequency of jw axis pair
- f<sub>O</sub> Frequency of complex pole pair
- Q Quality of pole
- f<sub>C</sub> Passband edge
- f<sub>S</sub> Stopband edge
- A<sub>HP</sub> Gain from input to highpass output
- A<sub>BP</sub> Gain from input to bandpass output
- A<sub>LP</sub> Gain from input to lowpass output
- A<sub>AMP</sub> Gain from input to output of amplifier
- R<sub>f</sub> Pole frequency determining resistance
- R<sub>Z</sub> Zero frequency determining resistance
- R<sub>Q</sub> Pole quality determining resistance
- f<sub>H</sub> Frequency above center frequency at which the gain decreases by 3 dB for a bandpass filter
- f<sub>L</sub> Frequency below center frequency at which the gain decreases by 3 dB for a bandpass filter
- BW The bandwidth of a bandpass filter
- N Order of the denominator of a transfer function

**BIBLIOGRAPHY**

- R.W. Daniels: "Approximation Methods for Electronic Filter Design", McGraw-Hill Book Co., New York, 1974
- G.S. Moschytz: "Linear Integrated Networks Design", Van Norstrand Reinhold Co., New York, 1975
- E. Christian and E. Eisenmann, "Filter Design Tables and Graphs", John Wiley & Sons, New York, 1966
- A.I. Zverev, "Handbook of Filter Synthesis", John Wiley & Sons, New York, 1967
- Burr-Brown Research Corp., "Handbook of Operational Amplifier Design and Applications", McGraw-Hill Book Co., New York, 1971